



**CATALOG OF
REPLACEMENT PARTS**

**MODEL P660
MIXER**

(INCLUDES MOTOR PARTS)

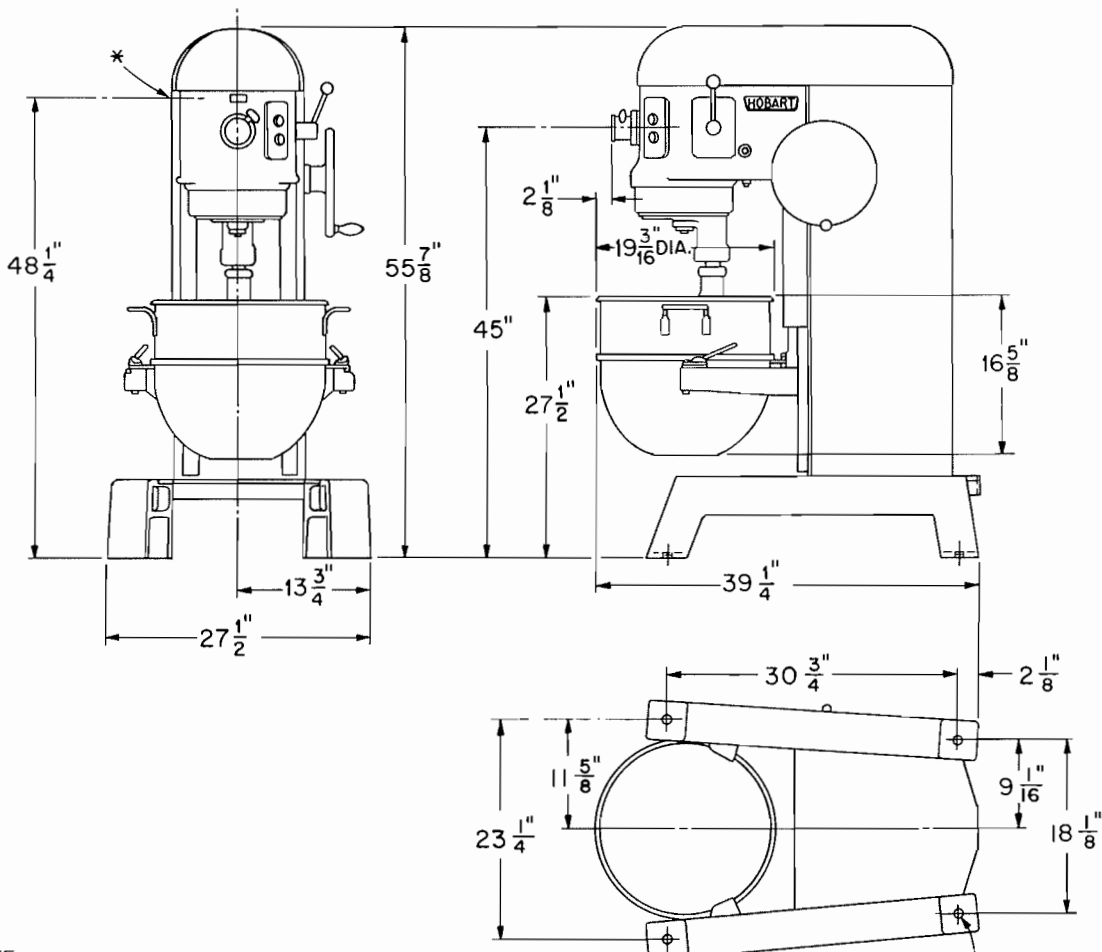
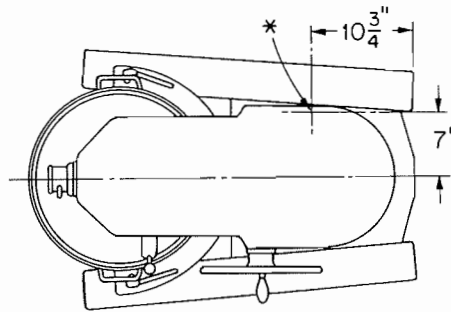
ML-33940

- THIS PAGE INTENTIONALLY LEFT BLANK -

* DENOTES 1-1/16" HOLE FOR ELECTRICAL CONNECTION

WARNING

ELECTRICAL AND GROUNDING CONNECTIONS MUST COMPLY WITH THE APPLICABLE PORTIONS OF THE NATIONAL ELECTRICAL CODE AND/OR OTHER LOCAL ELECTRICAL CODES.

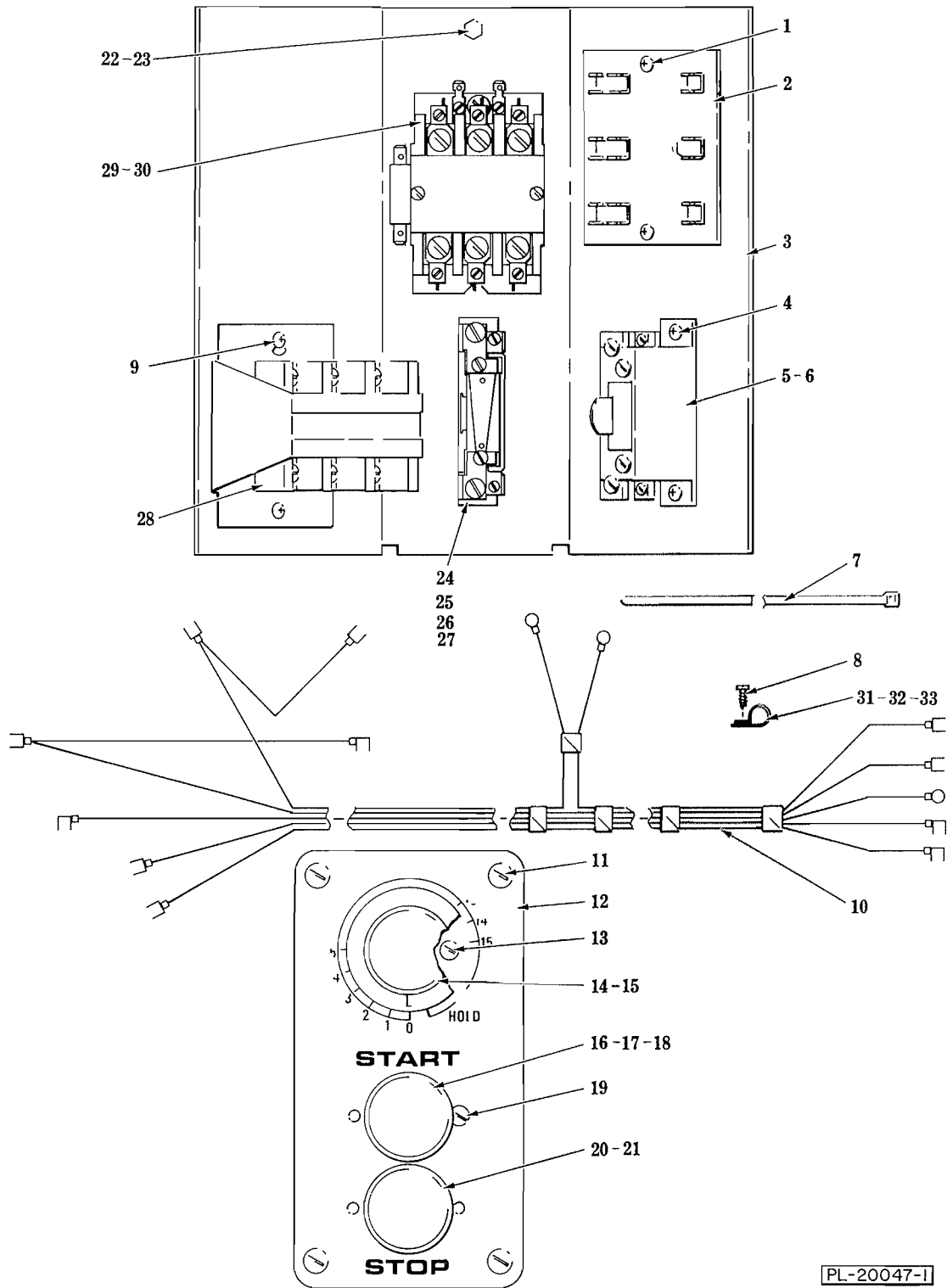


NOTE: BOLTING TO FLOOR UNNECESSARY EXCEPT ON SHIPBOARD

DECK PLATES AVAILABLE FOR PERMANENT MOUNTING

D-109121

INSTALLATION DIAGRAM



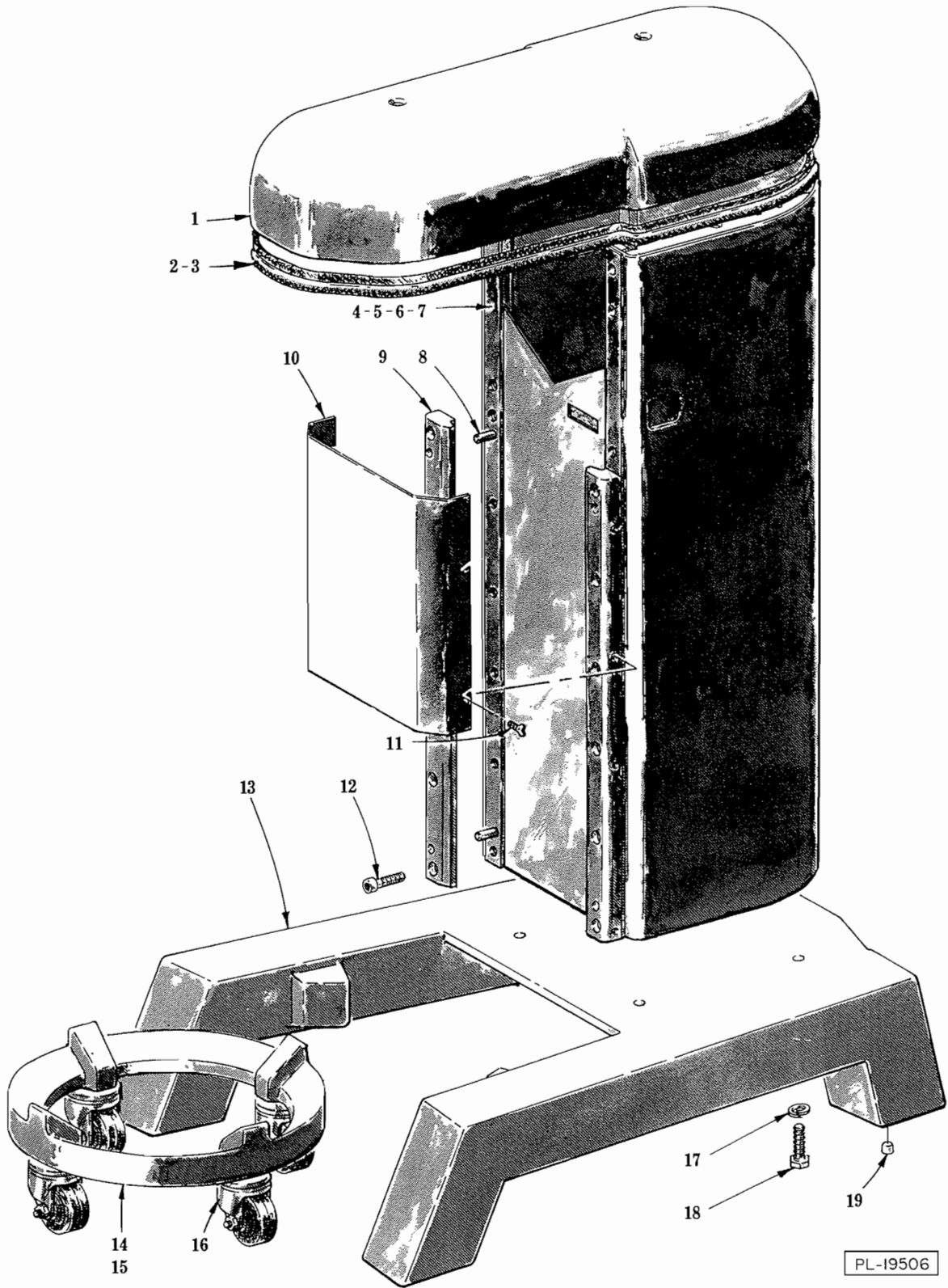
PL-20047-1

ELECTRICAL UNIT

ELECTRICAL UNIT

ILLUS. PL-20047-1	PART NO.	NAME OF PART ₃	AMT.
1	SD-15-20	Self-Tapping Screw 10-32 x 3/8 Phil. Pan Hd., Type TT	2
2	121014	Board - Terminal	1
3	121823	Panel - Control	1
4	SD-15-20	Self-Tapping Screw 10-32 x 3/8 Phil. Pan Hd., Type TT	4
5	88196-5-1	Relay - Thermal Overload (3 PH.)	1
6	*	Heater Element (3 PH.)	AR
7	113703	Tie - Cable	3
8	SD-15-20	Self-Tapping Screw 10-32 x 3/8 Phil. Pan Hd., Type TT (Use with item's 31, 32 & 33)	4
9	SD-15-20	Self-Tapping Screw 10-32 x 3/8 Phil. Pan Hd., Type TT	2
10	294657-1	Wiring Harness Assy	1
11	123131	Self-Tapping Screw 8-32 x 3/8 Truss Hd. "Taptite"	4
12	291729	Plate - Switch	1
13	SC-13-7	Mach. Screw 5-40 x 1/4 Flat Hd	2
14	291748	Knob	1
15	294650-4-2	Timer Assy. (208-240 V. 60 Hz.)	1
16	87711-183-1	Switch - Push Button	1
17	291750	Insulator - Push Button Switch	1
18	102467-1	Cap - Push Button (Start)	1
19	SC-13-12	Mach. Screw 6-32 x 1/4 Flat Hd	4
20	87711-183-2	Switch - Push Button	1
21	102467-2	Cap - Push Button (Stop)	1
22	SC-36-14	Cap Screw 1/4-20 x 1/2 Hex Hd	1
23	WL-3-38	Lock Washer 1/4 Medium	1
24	88196-6-1	Relay - Thermal Overload (1 PH.)	1
25	*	Heater Element (1 PH.)	AR
26	SC-8-9	Mach. Screw 10-24 x 3/8 Rd. Hd	2
27	WL-14-7	Lock Washer 10 Ext. Shakeproof	2
28	121926-1	Contact (208-240 V., 60 Hz.) (3 PH.)	1
29	87713-18-1	Contact (208-240 V., 60 Hz.) (1 PH.)	1
30	SD-15-20	Self-Tapping Screw 10-32 x 3/8 Phil. Pan Hd., Type TT	2
31	78752-6	Clamp	1
32	78752-4	Clamp	2
33	78752-10	Clamp	1

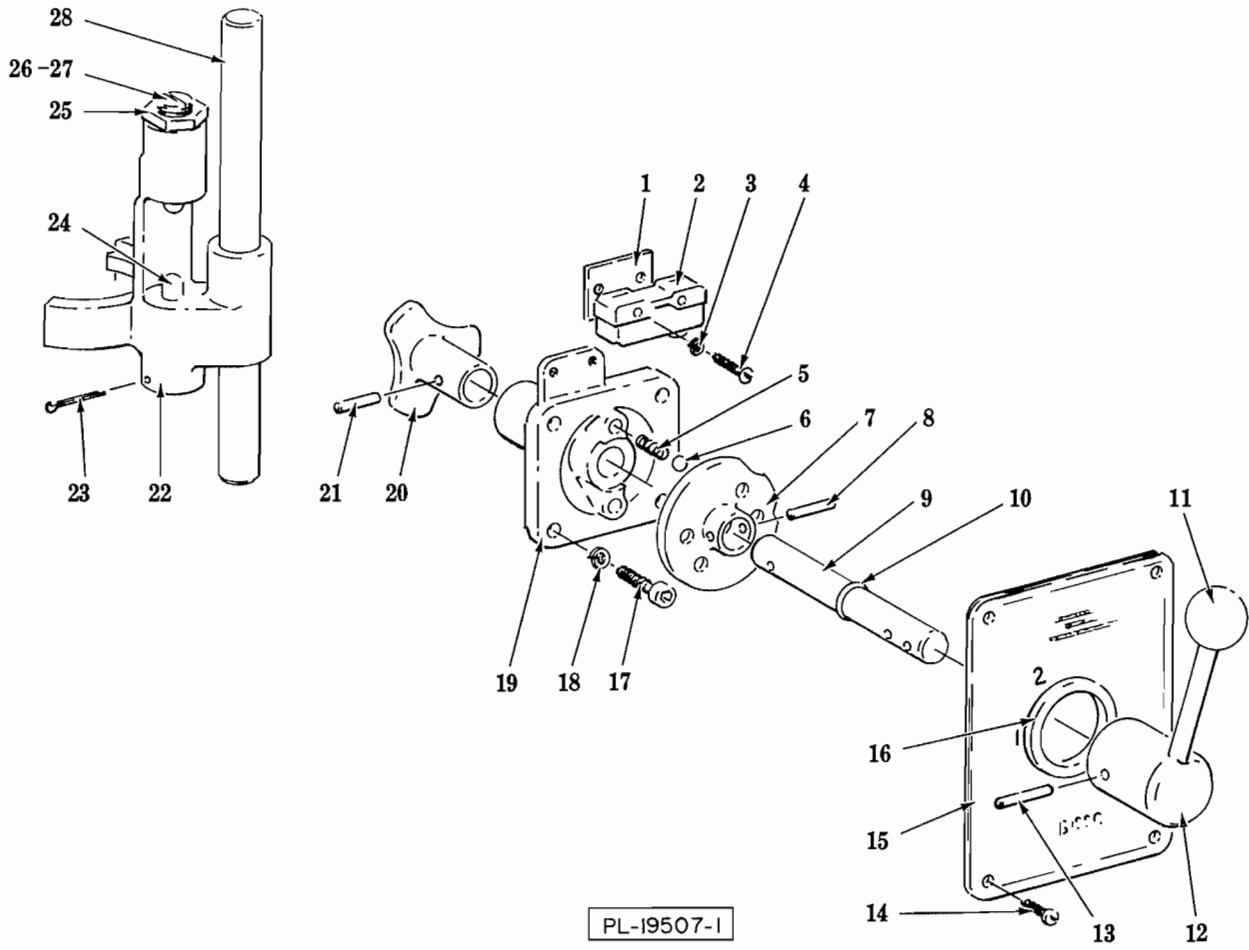
*Give Elec. Spec., Mach. Model & Motor Type.



BASE AND PEDESTAL UNIT

BASE AND PEDESTAL UNIT

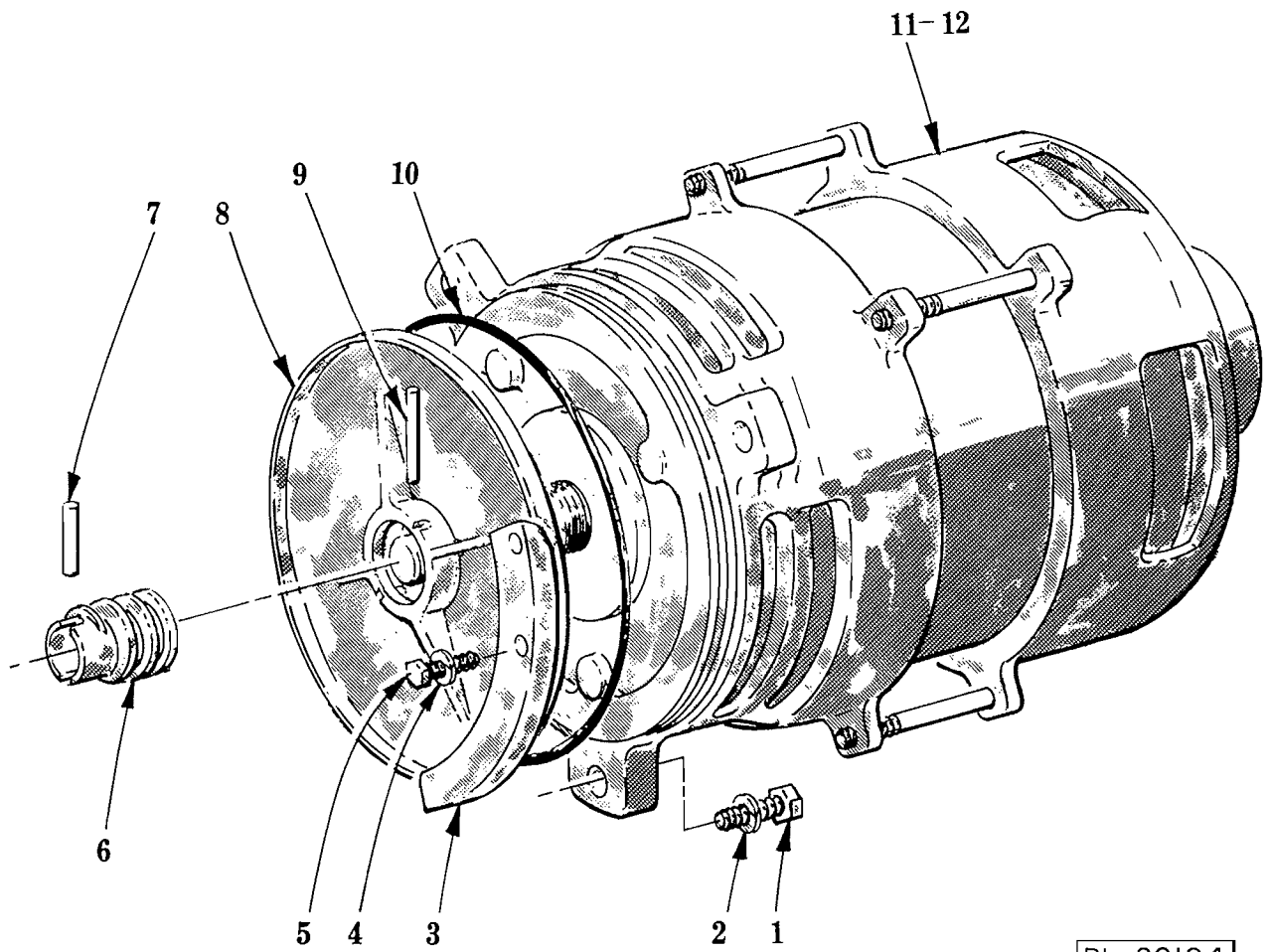
ILLUS. PL-19506	PART NO.	NAME OF PART _s	AMT.
1	124475-3	Top Cover Assy. (Incls. items 2 & 3)	1
2	123687-2	Gasket (39- $\frac{3}{4}$ ")	1
3	123687-3	Gasket (42")	1
4	121821-5	Pedestal Assy. (Incls. item 8)	1
5	118544-4	Lug - Solderless	1
6	SD-8-25	Self-Tapping Screw 10 x $\frac{3}{8}$ Phil. Bind. Hd., Type B	1
7	WL-10-6	Lock Washer 10 Ext. Shakeproof	1
8	11800-143	Dowel	2
9	24189-3	Slideway - Pedestal	2
10	24260	Apron - Pedestal	1
11	70641-9	Thumb Screw	4
12	SD-15-12	Self-Tapping Screw $\frac{3}{8}$ -16 x 1- $\frac{1}{2}$ Soc. Hex Hd., Type TT	12
13	110222-2	Base Assy. (Painted)	1
14	21922-1	Bowl Truck Assy. (Incls. item 16) (Painted)	1
15	21922-3	Bowl Truck Assy. (Incls. item 16) (Deluxe)	1
16	87669-1	Caster	4
17	WL-4-11	Lock Washer $\frac{1}{2}$ Medium	4
18	SC-62-83	Cap Screw $\frac{1}{2}$ -13 x 1- $\frac{1}{2}$ Hex Hd	4
19	116395	Plug - Base	AR
	65209-3	Adapter - Bowl Truck (40 & 30 Qt.)	1



SHIFTING UNIT

SHIFTING UNIT

ILLUS. PL-19507-1	PART NO.	NAME OF PART ₃	AMT.
1	60679	Insulator	1
2	87711-71-1	Switch - Interlock	1
3	WL-3-7	Lock Washer 6 Light	2
4	SC-9-45	Mach. Screw 6-32 x 1 Rd. Hd	2
5	7009	Spring	2
6	BA-2-18	Ball 3/8" Dia	2
7	292200	Cam Assy	1
8	RP-2-10	Rollpin 3/16 Dia. x 1 Lg	1
9	60400	Shaft - Gear Shift	1
10	67500-6	"O" Ring	1
11	60468	Knob - Gear Shift	1
12	60469	Handle & Hub Assy	1
13	RP-2-3	Rollpin 3/16 Dia. x 1-1/4 Lg	1
14	123131	Self-Tapping Screw 8-32 x 3/8 Truss Hd. "Taptite"	4
15	292203	Plate - Shift Selector	1
16	60395	Grommet - Gear Shift	1
17	SC-40-14	Cap Screw 5/16-18 x 3/4 Soc. Hex Hd	4
18	WL-3-44	Lock Washer 3/16 Medium	4
19	60359	Bracket - Gear Shift	1
20	292202	Gear Shift Cam Assy	1
21	RP-2-5	Rollpin 1/4 Dia. x 7/8 Lg	1
22	24228	Yoke - Lower Shifting	1
23	PC-3-24	Cotter Pin 1/16 x 1-1/2	1
24	24230	Plunger - Shifting Yoke	2
25	24232	Nut - Plunger Screw	1
26	24233	Spring - Shifting Plunger	2
27	60723	Screw - Shifting Plunger	2
28	24227	Shaft - Shifter	1
	292205	Gear Shifter Assy. (Incls. items 5 thru 10, 12, 13, 19, 20 & 21)	1
	292204	Shifting Yoke Assy. (Incls. items 22 thru 28)	1

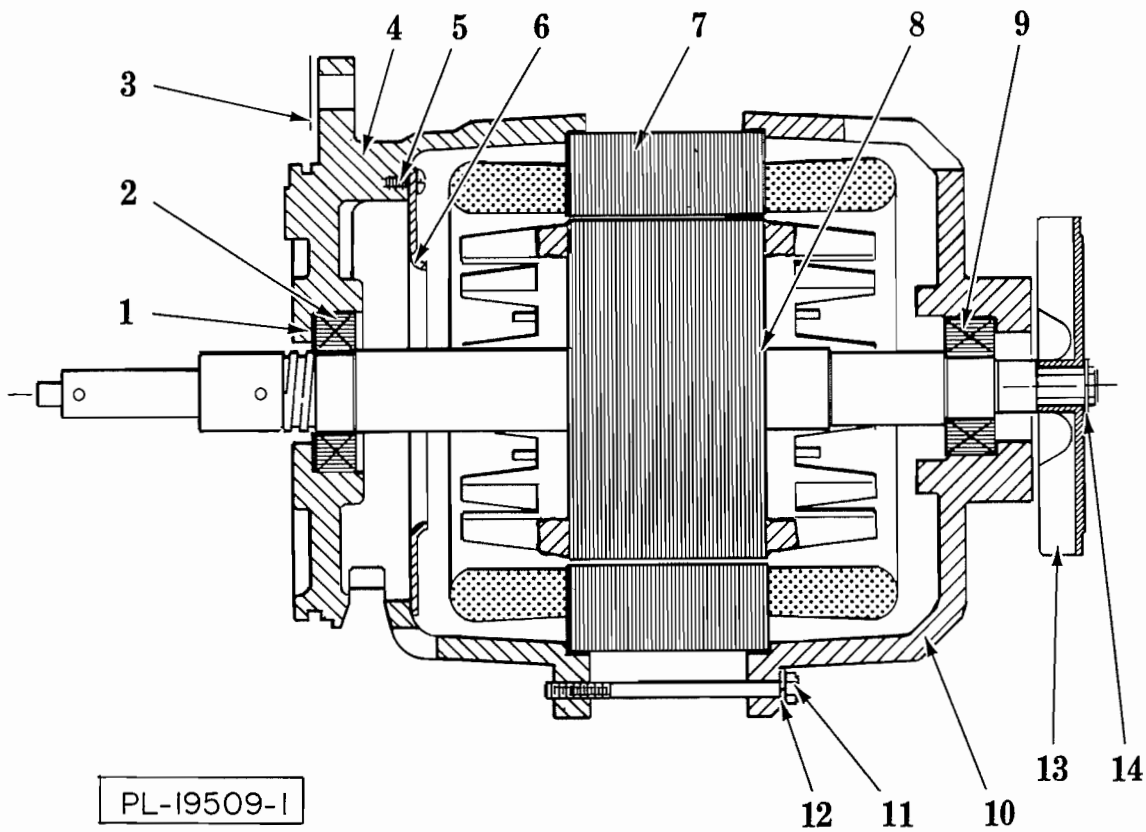


PL-20194

DRIVE

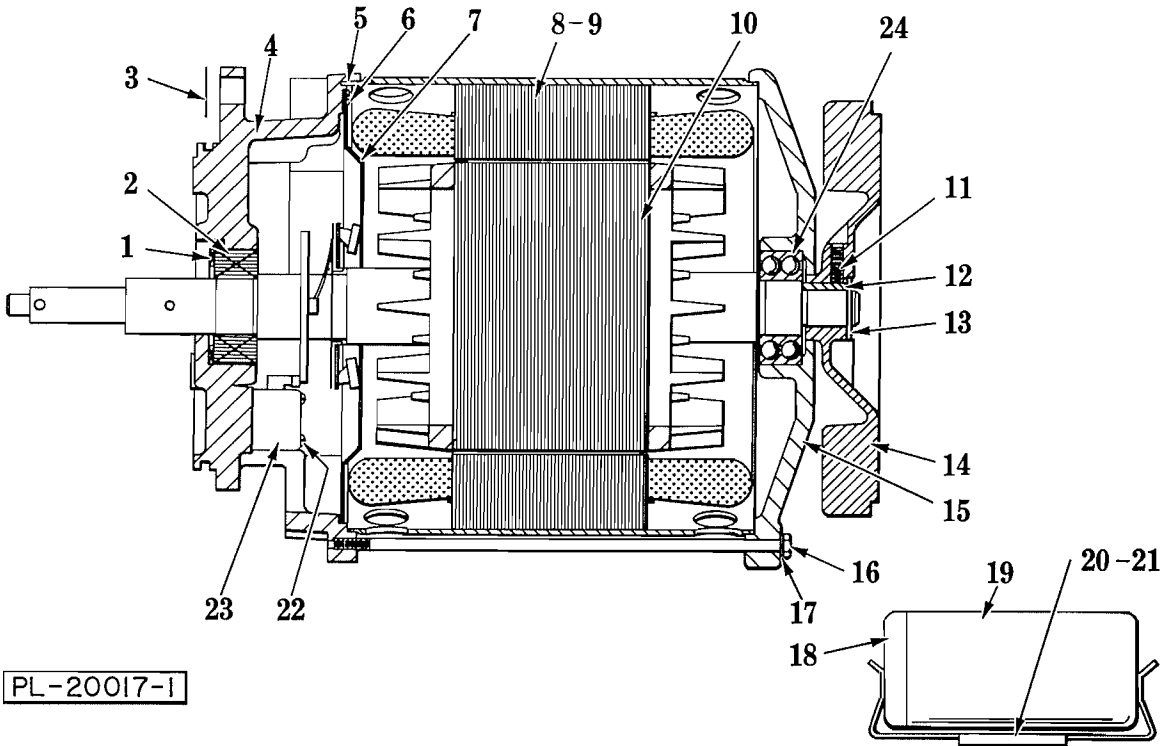
DRIVE

ILLUS. PL-20194	PART NO.	NAME OF PART ₃	AMT.
1	SC-36-98	Cap Screw 1/2-13 x 1-1/4 Hex Hd	3
2	WL-4-12	Lock Washer 1/2 Light	3
3	24610	Guide - Oil Flinger	1
4	WL-3-43	Lock Washer 5/16 Light	2
5	SC-36-28	Cap Screw 5/16-18 x 1-1/4 Hex Hd	2
6	292279	Worm - Drive (3T)	1
7	RP-2-6	Rollpin 1/4 Dia. x 1 Lg	1
8	291457-2	Flinger & Hub Assy	1
9	RP-2-28	Rollpin 3/16 Dia. x 3/4 Lg	1
10	67500-24	"O" Ring - Bearing Bracket	1
11	ML-33928	3 P.H. Motor (Give Elec. Spec.)	1
12	ML-40537	1 P.H. Motor (Give Elec. Spec.)	1



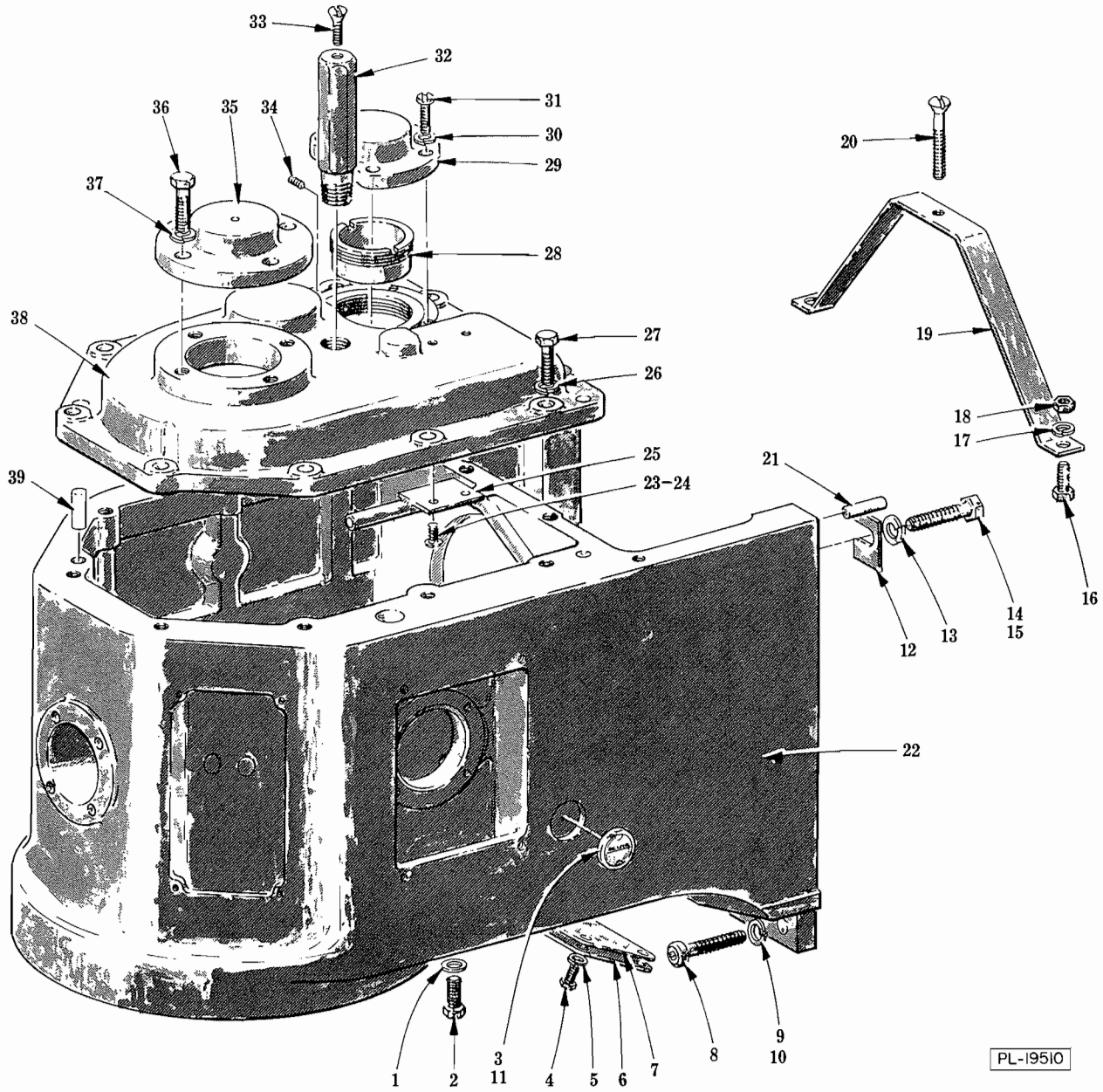
**MOTOR PARTS
(3 PHASE)**

ILLUS. PL-19509-1	PART NO.	NAME OF PARTs	AMT.
	1	SL-3-10 Loading Spring - N.D. #62	1
	2	BB-17-26 Ball Bearing - N.D. #Z99506	1
	3	275152 Shim	AR
	4	119538-1 Bracket - Bearing (Gear End)	1
	5	SC-9-70 Mach. Screw 6-32 x 1/4 Rd. Hd	3
	6	120864 Baffle - Air	1
	7	65478-180-1 Stator Assy. (208/240 V. 60 Hz., 3 Ph.)	1
	8	15747-309 Rotor Assy. (3 Ph.)	1
	9	BB-16-23 Ball Bearing - Fafnir #W205PP	1
	10	119537-4 Bracket - Bearing	1
	11	SC-111-2 Cap Screw 1/4-20 x 4-1/2 Hex Hd	4
	12	WL-3-38 Lock Washer 1/4 Medium	4
	13	292466-1 Fan - Ventilating	1
	14	RR-4-17 Retaining Ring	1



**MOTOR PARTS
(1 PHASE)**

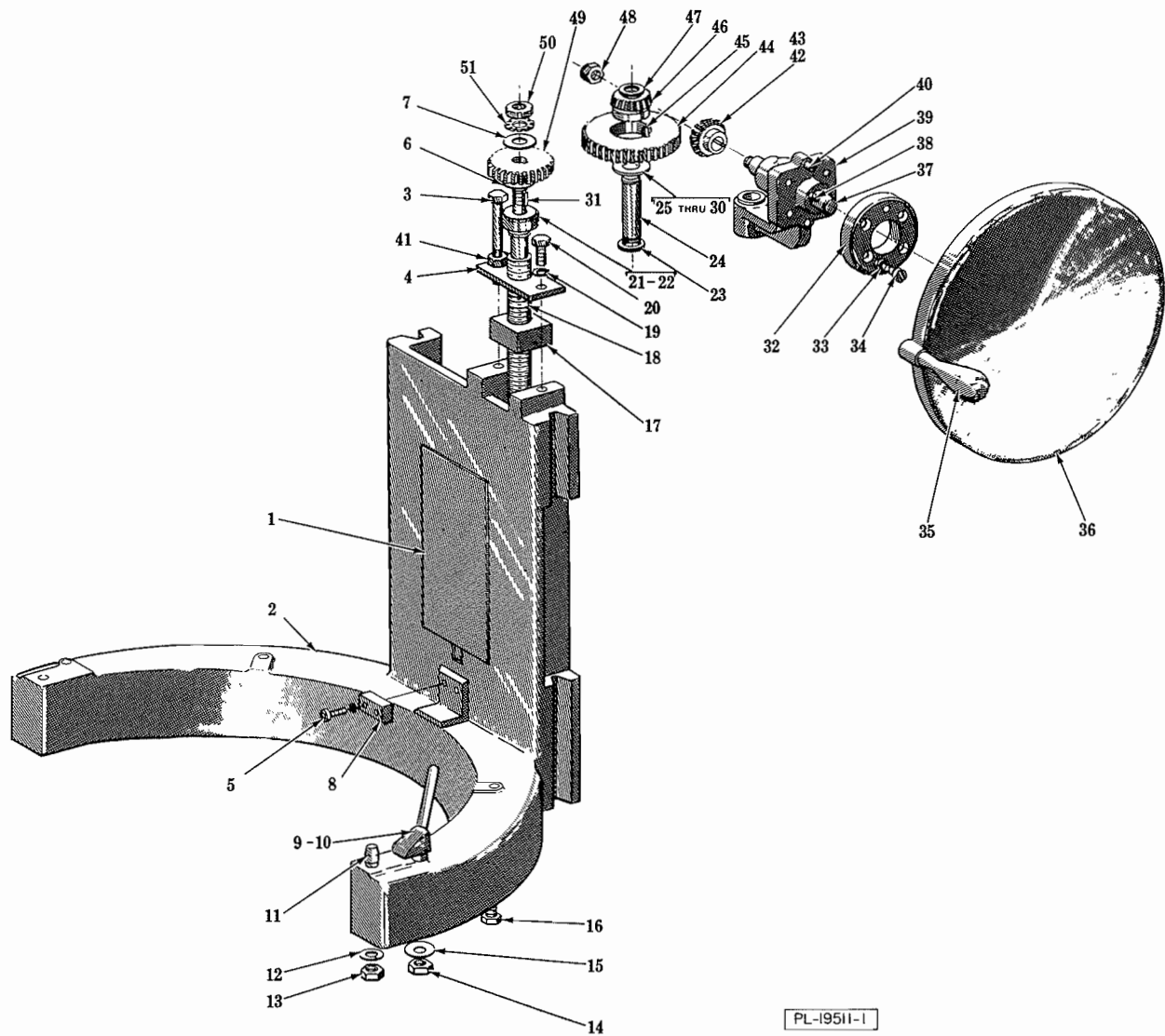
ILLUS. PL-20017-1	PART NO.	NAME OF PART ₃	AMT.
1	SL-3-10	Loading Spring - N.D. #62	1
2	BB-17-34	Ball Bearing - NTN #63206	1
3	275152	Shim	AR
4	294867	Bracket - Bearing (Gear End)	1
5	RP-2-42	Roll Pin 3/32 Dia. x 3/8 Lg	1
6	SC-18-13	Mach. Screw 8-32 x 1/4 Pan Hd	4
7	89203-1	Shroud - Fan	1
8	65477-161-1	Stator Assy. (208/60/1)	1
9	65477-161-2	Stator Assy. (240/60/1)	1
10	22275-273	Rotor Assy	1
11	SC-47-12	Set Screw 1/4-20 x 3/8 Hds. Cup Pt	2
12	109070-2	Key	1
13	RR-4-6	Retaining Ring	1
14	275183	Fan - Ventilating	1
15	294879-2	Bracket - Bearing (Fan End)	1
16	80977-7	Bolt - Hex Hd	4
17	WL-3-38	Lock Washer 1/4 Medium	4
18	70486-4	Cap - Capacitor End	2
19	70487-17	Capacitor	2
20	66621-2	Bracket - Capacitor	2
21	SD-24-16	Self-Tapping Screw 10-24 x 1/2 Phil. Flat Hd., Type TT	4
22	SC-9-85	Mach. Screw 6-32 x 1 1/4 Rd. hd	2
23	117548	Switch - Stationary	1
24	BB-21-15	Ball Bearing - NSK #3206	1



TRANSMISSION CASE UNIT

TRANSMISSION CASE UNIT

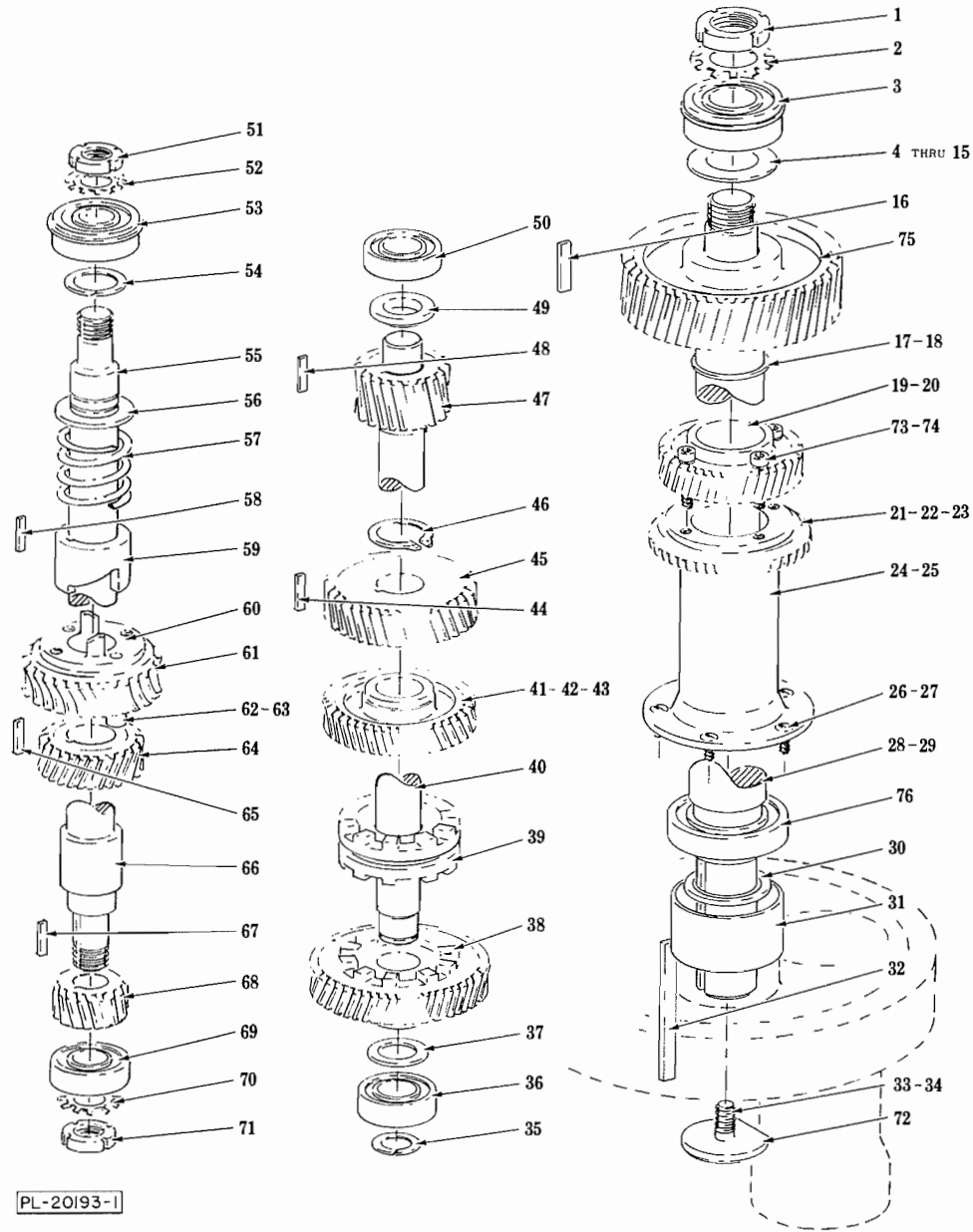
ILLUS. PL-19510	PART NO.	NAME OF PART ₃	AMT.
1	WS-21-21	Washer	1
2	SC-62-60	Cap Screw 1/2-20 x 1 Hex Hd	1
3	22793	Gauge - Oil Level	1
4	SC-68-14	Mach. Screw 8-32 x 3/8 Trimmed Hex Hd	4
5	WL-3-15	Lock Washer 8 Light	4
6	24264-1	Plate - Transmission Case Cover	1
7	24665	Gasket - Transmission Case Cover Plate	1
8	SC-40-36	Cap Screw 1/2-13 x 1-3/4 Soc. Fil. Hd	2
9	WL-4-13	Lock Washer 1/2 Medium	1
10	WL-4-14	Lock Washer 1/2 High Collar	1
11	290488	Gasket - Oil Gauge	1
12	68288	Shim (.0179" Thk.)	AR
13	WL-4-13	Lock Washer 1/2 Medium	4
14	SC-62-66	Cap Screw 1/2-13 x 1-3/4 Hex Hd	2
15	SC-62-67	Cap Screw 1/2-13 x 2-1/4 Hex Hd	2
16	SC-36-4	Cap Screw 1/4-20 x 3/4 Hex Hd	2
17	WL-3-37	Lock Washer 1/4 Medium	2
18	NS-13-1	Full Nut 1/4-20 Hex Fin	2
19	62108-1	Strap - Top Anchoring	1
20	SC-15-76	Mach. Screw 1/4-20 x 1 1/4 Oval Hd	1
21	11800-221	Dowel	2
22	120561-2	Case - Transmission	1
23	SC-7-82	Mach. Screw 10-24 x 3/4 Rd. Hd	2
24	NS-32-1	Stop Nut 10-24 "Flexloc"	2
25	24253-2	Oil Delivery Tube & Plate Assy	1
26	WL-4-2	Lock Washer 3/8 Light	10
27	SC-62-48	Cap Screw 3/8-16 x 1-1/8 Hex Hd	10
28	24254	Sleeve - Worm Gear Adjusting	1
29	24256	Retainer - Upper Worm Shaft Bearing	1
30	WL-3-37	Lock Washer 1/4 Medium	4
31	SC-38-5	Cap Screw 1/4-20 x 1 Fil. Hd	4
32	292642	Support - Top Cover Front	1
33	SC-15-70	Mach. Screw 1/4-20 x 1 Oval Hd	1
34	SC-47-70	Set Screw 10-32 x 3/8 Soc. Hdls., Cup Pt	2
35	24255	Retainer - Planetary Bearing	1
36	SC-36-28	Cap Screw 5/16-18 x 1-1/4 Hex Hd	4
37	WL-3-44	Lock Washer 5/16 Medium	4
38	24203-2	Cover - Transmission Case	1
39	11800-224	Dowel	2



BOWL SUPPORT AND LIFT UNIT

BOWL SUPPORT AND LIFT UNIT

ILLUS. PL-19511-1	PART NO.	NAME OF PARTs	AMT.
1	104493	Cover - Access Opening	1
2	124685-2	Support - Bowl	1
3	122925-1	Screw - Stop	1
4	24201	Retainer - Bowl Lift Nut	1
5	SC-40-10	Cap Screw ¼-20 x ¾ Soc. Hex Hd	2
6	WS-10-17	Washer	2
7	WS-10-17	Washer	1
8	24296	Retainer - Bowl	1
9	65922-10	Bowl Clamp Assy. (R.H.)	1
10	65922-11	Bowl Clamp Assy. (L.H.) (Not Shown)	1
11	120349	Stud - Bowl Locating	2
12	WL-4-12	Lock Washer ½ Light	2
13	NS-17-27	Jam Nut ½-13 Hex Fin	2
14	NS-46-18	Lock Nut ⅝-11 Hex	2
15	64636	Spring Washer - Bowl Clamp	2
16	SC-37-74	Cap Screw ⅜-16 x 1-½ Hex Hd	1
17	24198	Nut - Bowl Lift Screw	1
18	290052-1	Screw - Bowl Lift	1
19	WL-4-2	Lock Washer ⅜ Light	1
20	SC-36-53	Cap Screw ⅜-16 x ⅞ Hex Hd	1
21	BB-5-30	Ball Bearing - N.D. #Z99503	1
22	290053	Spacer	1
23	RR-5-2	Retaining Ring (Spirolox)	1
24	24194	Shaft - Miter Gear	1
25	24614-1	Washer - Miter Gear Spacer (.096" Thk.)	AR
26	24614-2	Washer - Miter Gear Spacer (.091" Thk.)	AR
27	24614-3	Washer - Miter Gear Spacer (.086" Thk.)	AR
28	24614-4	Washer - Miter Gear Spacer (.081" Thk.)	AR
29	24614-5	Washer - Miter Gear Spacer (.076" Thk.)	AR
30	24614-6	Washer - Miter Gear Spacer (.071" Thk.)	AR
31	12430-43	Key	1
32	24609-1	Ring - Hand Wheel Brkt. Clamping	1
33	WL-3-48	Lock Washer ⅝ High Collar	4
34	SC-11-95	Mach. Screw ⅝-18 x 1 Fil. Hd	4
35	24765	Handle - Bowl Lift Hand Wheel	1
36	78181	Hand Wheel & Handle Assy. (Incls. item 35)	1
37	24191	Shaft - Hand Wheel	1
38	PG-7-19	Groov-Pin - Type E, ¼ x 2-¾	1
39	89684	Hand Wheel Bracket & Bearing Assy	1
40	RP-2-6	Rollpin ¼ Dia. x 1 Lg	2
41	NS-17-14	Jam Nut ⅜-16 Hex Fin	1
42	24196	Pinion - Bowl Lift Miter (23T)	1
43	12430-41	Key	1
44	24192	Gear - Bowl Lift Screw (41T)	1
45	KW-3-3	Key #404 Woodruff	1
46	24195	Gear - Bowl Lift Miter (23T)	1
47	RR-5-2	Retaining Ring (Spirolox)	1
48	NS-32-29	Stop Nut ½-20 "Flexloc"	1
49	24193	Gear - Bowl Lift Screw (31T)	1
50	NS-34-4	Lock Nut - N.D. #N-03	1
51	WL-12-4	Lock Washer - N.D. #W-03	1



TRANSMISSION UNIT

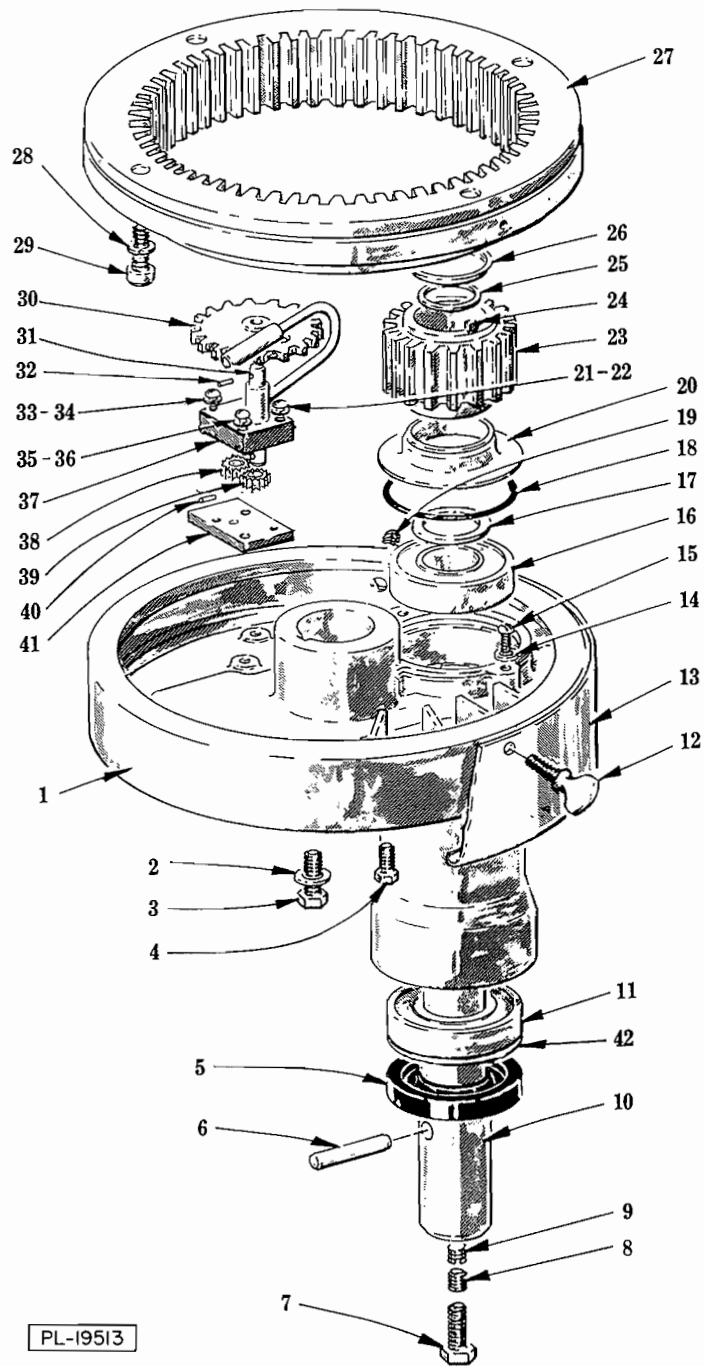
ILLUS.	PART NO.	NAME OF PARTs	AMT.
1	NS-34-7	Lock Nut - N.D. #N-06	1
2	WL-12-7	Lock Washer - N.D. #W-06	1
3	BB-9-48	Ball Bearing - MRC #5206SBK-FFG	1
4	24226-1	Shim - Planetary Shaft (.141" Thk.)	AR
5	24226-2	Shim - Planetary Shaft (.144" Thk.)	AR
6	24226-3	Shim - Planetary Shaft (.147" Thk.)	AR
7	24226-4	Shim - Planetary Shaft (.150" Thk.)	AR
8	24226-5	Shim - Planetary Shaft (.153" Thk.)	AR
9	24226-6	Shim - Planetary Shaft (.156" Thk.)	AR
10	24226-7	Shim - Planetary Shaft (.159" Thk.)	AR
11	24226-8	Shim - Planetary Shaft (.162" Thk.)	AR
12	24226-9	Shim - Planetary Shaft (.165" Thk.)	AR
13	24226-10	Shim - Planetary Shaft (.168" Thk.)	AR
14	24226-11	Shim - Planetary Shaft (.171" Thk.)	AR
15	24226-12	Shim - Planetary Shaft (.174" Thk.)	AR

TRANSMISSION UNIT (Cont.)

ILLUS. PL-20193-1	PART NO.	NAME OF PART ₃	AMT.
16	109070-21	Key	1
**17	RR-9-16	Retaining Ring - Heavy Duty (Truarc)	1
*18	RR-11-56	Retaining Ring (Truarc)	1
19	292192	Gear - Lower Planetary Shaft (33T)	1
20	292190	Spacer - Planetary Shaft	1
21	292194	Gear - Spiral Bevel (41T)	1
22	292190	Spacer - Planetary Shaft	1
23	292183	Seal (Quad-X)	1
24	121478-1	Chimney	1
25	67500-102	"O" Ring	1
26	SC-13-79	Mach. Screw ¼-20 × ½ Flat Hd	5
27	WL-9-8	Lock Washer ¼ Csk. Ext. Shakeproof	5
*28	292848	Shaft - Planetary	1
*29	292849	Shaft & Retaining Ring Kit (Incls. items 17 & 28)	1
30	24543	Washer - Planetary Spacer	1
31	60486	Shield - Planetary Oil	1
32	12430-195	Key	1
33	SC-62-58	Cap Screw ⅜-24 × 1-¼ Hex Hd	1
34	WL-6-27	Lock Washer ⅜ Light	1
35	RR-5-4	Retaining Ring (Spirolox)	1
36	BB-18-33	Ball Bearing - Fafnir #205KF	1
37	24210	Spacer - Clutch Shaft	1
38	24539	Lower Clutch & Lower Gear Assy. (49T)	1
39	24213	Clutch - Shifting	1
40	292186	Shaft - Clutch	1
41	RR-4-13	Retaining Ring (Truarc)	1
42	60767	Washer - Clutch Shaft	1
43	24538	Lower Clutch & Upper Gear Assy. (41T)	1
44	12430-58	Key	1
45	292187	Lower Gear Assy. (35T)	1
46	RR-11-55	Retaining Ring (Truarc)	1
47	292188	Upper Gear Assy. (20T)	1
48	109070-2	Key	1
49	24210	Spacer - Clutch Shaft	1
50	BB-9-4	Ball Bearing - N.D. #5205-1-A	1
51	NS-34-5	Lock Nut - N.D. #N-04	1
52	WL-12-5	Lock Washer - N.D. #W-04	1
53	BB-9-37	Ball Bearing - N.D. #45504V	1
54	RR-5-10	Retaining Ring (Spirolox)	1
55	24204	Shaft - Worm Gear	1
56	24238	Washer - Shock Absorber	1
57	9733	Spring - Worm Shaft	1
58	24546	Key - Compressor to Shaft	1
59	61498	Compressor - Shock Absorber	1
60	292993	Flange - Shock Absorber Drive	1
61	292181	Worm Gear (28T)	1
62	SC-40-8	Cap Screw ¼-20 × 1 Soc. Fil. Hd	4
63	WL-3-37	Lock Washer ¼ Medium	4
64	24207	Gear - Upper Worm Shaft (25T)	1
65	12430-51	Key	1
66	24206	Spacer - Worm Gear Shaft	1
67	12430-51	Key	1
68	121382	Gear - Lower Worm Shaft (17T)	1
69	BB-7-14	Ball Bearing - MRC #204S	1
70	WL-12-5	Lock Washer - N.D. #W-04	1
71	NS-34-5	Lock Washer - N.D. #N-04	1
72	24266-1	Washer - Planetary	1
73	SC-40-15	Cap Screw ⅝-18 × 1-¼ Soc. Fil. Hd	4
74	WL-3-48	Lock Washer ⅝ High Collar	4
75	292193-2	Gear - Upper Planetary Shaft (52T)	1
76	BB-15-26	Ball Bearing - Fafnir #P9109PP	1
	292185	Worm Gear Assy. (Incls. items 54 thru 71)	1
	292189	Clutch Shaft Assy. (Incls. items 35 thru 49)	1
	292195	Planetary Shaft Assy. (Incls. items 16 thru 23, 73 & 74)	1

*Prior to Serial No. 11-371-255.

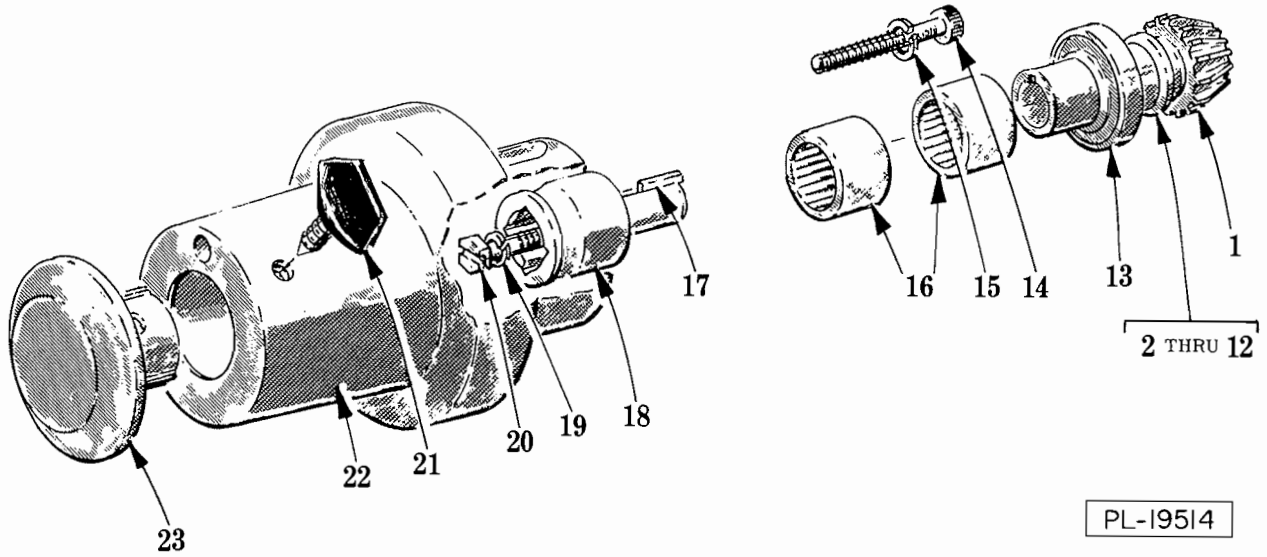
**First Serial No. 11-371-255.



PLANETARY UNIT

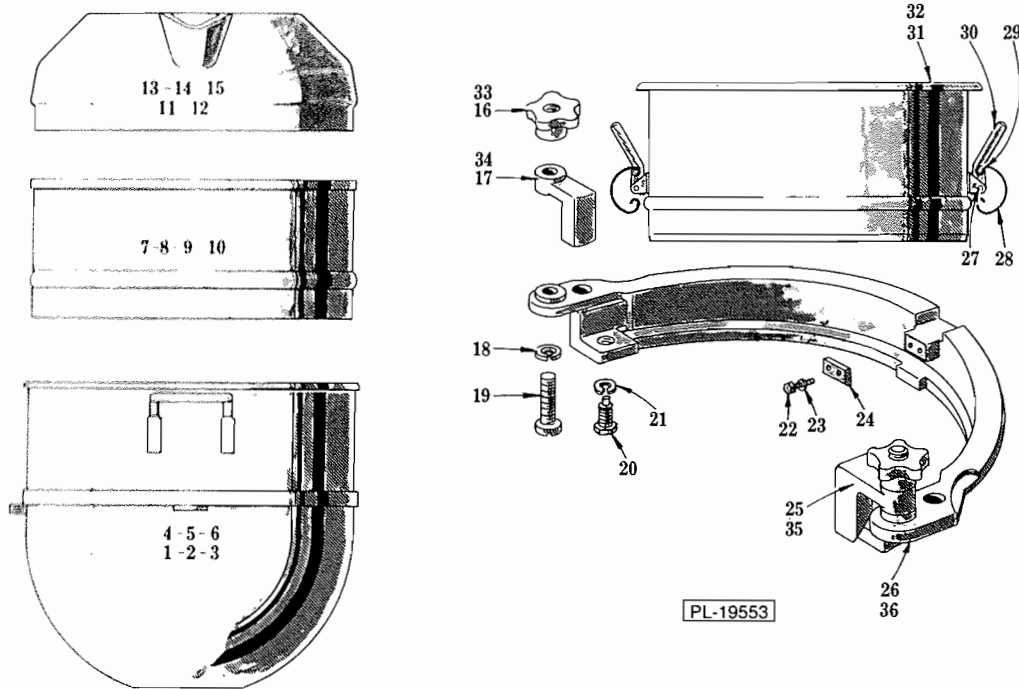
PLANETARY UNIT

ILLUS. PL-19513	PART NO.	NAME OF PARTs	AMT.
1	292197	Planetary (Incls. item 19)	1
2	WS-21-21	Washer	1
3	SC-62-60	Cap Screw 1/2-20 x 1 Hex Hd	1
4	SC-62-80	Cap Screw 3/8-16 x 5/8 Hex Hd	2
5	292288	Seal - Planetary	1
6	111156	Pin - Agitator Shaft	1
7	64723	Plug Screw - Agitator Shaft	1
8	SC-47-41	Set Screw 3/8-16 x 3/8 Soc. Hdls., Cup Pt	1
9	7744	Set Screw - Hdls., Cone Pt	1
10	64137-2	Agitator Shaft Assy. (Incls. items 6 thru 9)	1
11	BB-7-1	Ball Bearing - Hoover #6208DDU	1
12	70641-11	Thumb Screw #8-32	2
13	60458	Cup - Drip	1
14	WS-3-23	Washer	2
15	SC-8-65	Mach. Screw 1/4-20 x 3/8 Rd. Hd	2
16	BB-6-36	Ball Bearing - MRC #306-SZZ	1
17	60768	Shim - Internal Pinion	AR
18	67500-21	"O" Ring	1
19	FP-28-38	Plug 3/8 Hex Socket Pipe	1
20	73010	Oil Baffle - Planetary	1
21	SC-9-50	Mach. Screw 10-32 x 3/4 Rd. Hd	1
22	WL-3-22	Lock Washer 10 Light	1
23	24270	Pinion - Internal (18T)	1
24	12430-154	Key	1
25	RR-5-8	Retaining Ring (Spirolox)	1
26	60071	Cap - Oil Retaining	1
27	61580	Gear - Internal (59T)	1
28	WL-4-1	Lock Washer 3/8 High Collar	4
29	SC-40-23	Cap Screw 3/8-16 x 1-1/4 Soc. Fil. Hd	4
30	60467	Conveying Gear Assy. (18T)	1
31	186271	Shaft - Oil Pump	1
32	RP-2-8	Rollpin 5/64 Dia. x 1 1/16 Lg	1
33	SC-9-39	Mach. Screw 8-32 x 3/4 Rd. Hd	1
34	WL-3-15	Lock Washer 8 Light	1
35	SC-9-51	Mach. Screw 10-32 x 7/8 Rd. Hd	2
36	WL-3-22	Lock Washer 10 Light	2
37	123679	Housing & Tube Assy	1
38	290277	Gear - Oil Pump (15T)	1
39	186270	Gear - Oil Pump (15T)	1
40	538772	Dowel 3/32 Dia. x 1 1/32 Lg	1
41	60443	Plate - Oil Pump Bottom	1
42	292280	Spacer - Agitator Shaft	1
	290230	Planetary Oil Pump Assy. (Incls. items 21, 22, 30, 31, 32, 33, 34, 37, 38, 39, 40 & 41)	1
	89669-3	Planetary Assy. (Incls. items 1, 4, 5, 10, 11, 14 thru 18, 20, 23 thru 26, 42 & 60486)	1



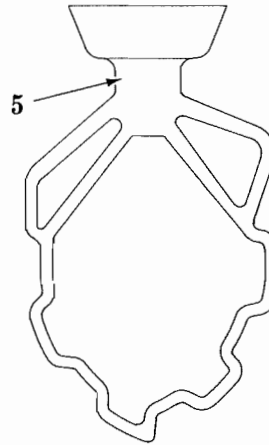
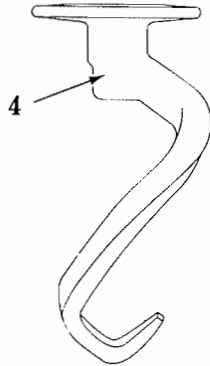
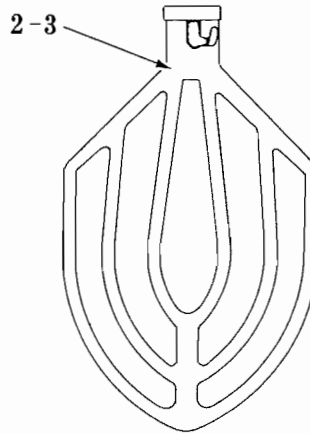
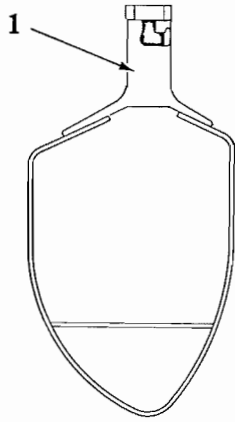
#12 ATTACHMENT HUB UNIT

ILLUS. PL-19514	PART NO.	NAME OF PARTs	AMT.
1	61914	Bevel - Pinion (16T)	1
2	61920-1	Shim - Bevel Pinion (.076" Thk.)	AR
3	61920-2	Shim - Bevel Pinion (.079" Thk.)	AR
4	61920-3	Shim - Bevel Pinion (.082" Thk.)	AR
5	61920-4	Shim - Bevel Pinion (.085" Thk.)	AR
6	61920-5	Shim - Bevel Pinion (.088" Thk.)	AR
7	61920-6	Shim - Bevel Pinion (.091" Thk.)	AR
8	61920-7	Shim - Bevel Pinion (.094" Thk.)	AR
9	61920-8	Shim - Bevel Pinion (.097" Thk.)	AR
10	61920-9	Shim - Bevel Pinion (.100" Thk.)	AR
11	61920-10	Shim - Bevel Pinion (.103" Thk.)	AR
12	61920-11	Shim - Bevel Pinion (.107" Thk.)	AR
13	BB-13-3	Ball Bearing Nice 618	1
14	SC-40-50	Cap Screw 5/16-18 x 2-1/4 Soc. Fil. Hd	4
15	WL-3-44	Lock Washer 5/16 Medium	4
16	BN-2-6	Needle Bearing (Torrington B-2212)	2
17	12430-42	Key	1
18	61506	Sleeve - Square Drive	1
19	WL-3-44	Lock Washer 5/16 Medium	1
20	61279	Screw - Special (L.H. Thread)	1
21	108197-1	Thumb Screw Assy	1
22	61894-1	Hub - Attachment	1
23	114824-1	Plug - Attachment Hole	1



BOWLS AND EQUIPMENT

ILLUS. PL-19553	PART NO.	NAME OF PARTs	AMT.
1	66462	Bowl - 60 Qt. (SST)	1
2	66461	Bowl - 60 Qt. (Tinned)	1
3	104433	Bowl - 40 Qt. (SST)	1
4	104432	Bowl - 40 Qt. (Tinned)	1
5	104416	Bowl - 30 Qt. (SST)	1
6	104415	Bowl - 30 Qt. (Tinned)	1
7	7985-2	Extension - 40 Qt. Bowl (SST)	1
8	7985-1	Extension - 40 Qt. Bowl (Tinned)	1
9	6474-2	Extension - 30 Qt. Bowl (SST)	1
10	6474-1	Extension - 30 Qt. Bowl (Tinned)	1
11	104681	Cover - Splash (60 Qt.) (Plastic)	1
12	82443-4	Splash Cover Assy. - 40 Qt. (SST)	1
13	82443-3	Splash Cover Assy. - 40 Qt. (Tinned)	1
14	82443-2	Splash Cover Assy. - 30 Qt. (SST)	1
15	82443-1	Splash Cover Assy. - 30 Qt. (Tinned)	1
16	8101-2	Knob - Clamp Stud (Deluxe)	2
17	24845-2	Clamp - Adapter (60-40 Qt. & 60-30 Qt., L.H.) (Deluxe)	1
18	WL-4-11	Lock Washer 1/2 Medium	2
19	22196	Bolt - Bowl Lock	2
20	24846	Stud - Bowl Locating	2
21	WL-4-17	Lock Washer 5/8 Light	2
22	SC-62-38	Cap Screw 1/4-20 x 5/8 Hex Hd	2
23	WL-3-38	Lock Washer 1/4 Medium	2
24	24301	Retainer - Bowl	1
25	60222-2	Clamp - Adapter (60-40 Qt. & 60-30 Qt., R.H.) (Deluxe)	1
26	65790-2	Adapter - Bowl (60-40 Qt. & 60-30 Qt.) (Deluxe)	1
27	RP-2-35	Rollpin 3/16 Dia. x 5/8 Lg	2
28	62234-2	Spring - Clamp (60 Qt.) (Flange Top Bowl)	2
29	RP-2-7	Rollpin 3/16 Dia. x 1-1/8 Lg	2
30	11881	Handle - Clamp (60 Qt.)	2
31	8569-8	Extension - 60 Qt. Bowl (Tinned) (Flanged Top Bowl) (Incls. items 27 thru 30)	1
32	8569-8	Extension - 60 Qt. Bowl (SST) (Flange Top Bowl) (Incls. items 27 thru 30)	1
33	8101-1	Knob - Clamp Stud (Tinned)	2
34	24845-1	Clamp - Adapter (60-40 Qt. & 60-30 Qt., L.H.) (Tinned)	1
35	60222-1	Clamp - Adapter (60-40 Qt. & 60-30 Qt., R.H.) (Tinned)	1
36	65790-1	Adapter Bowl (60-40 Qt. & 60-30 Qt.) (Tinned)	1
	62087-2	Bowl Adapter Assy. Unit (SST) (60-40 Qt. & 60-30 Qt.) (Incls. items 16 thru 26)	1
	62087-1	Bowl Adapter Assy. Unit (Tinned) (60-40 Qt. & 60-30 Qt.) (Incls. items 18 thru 24 & 33 thru 36)	1
	118801	Scraper - Bowl (Not Shown)	1



PL-19515

AGITATORS

ILLUS. PL-19515	PART NO.			NAME OF PART 3	AMT.
	60 Qt.	40 Qt.	30 Qt.		
1	68096	68095	68822	"P" Pastry Knife	1
2	24308-1	23620	60052-1	"B" Flat Beater (Alum.)	1
3	24308-2	24847	60052-2	"B" Flat Beater (SST)	1
4	121071	---	---	"ED" Dough Arm - Spiral	1
5	60069	8400	10326	"S" Sweet Dough Arm	1
	---	80693	72858	"E" Dough Arm (Not Shown)	1